

APPLICATIONS

Ideal for one or multiple tap outlets to your garden, toilet and laundry, the Grundfos JPRain range offers a reliable solution to help you utilise your collected rainwater in the best possible way.

FEATURES



- 3 models: JPRain, JPRain MP, JPRain PT
- Self priming from bore and rainwater tank
- Strong suction capacity
- Automatic on/off switch
- Built in thermal protection
- Suitable for above or underground rainwater tanks
- Handles small sandy impurities with ease

CONSTRUCTION

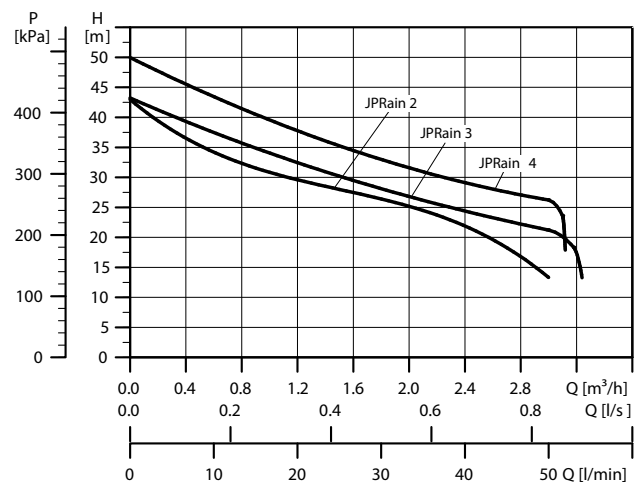
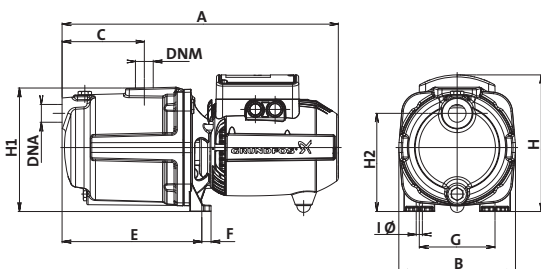
- Technopolymer pump body
- Carbon/ceramic mechanical seal
- AISI 304 stainless steel shaft
- 1 x 240V, IP44 motor
- Insulation Class F, with built-in overload protection

PERFORMANCE

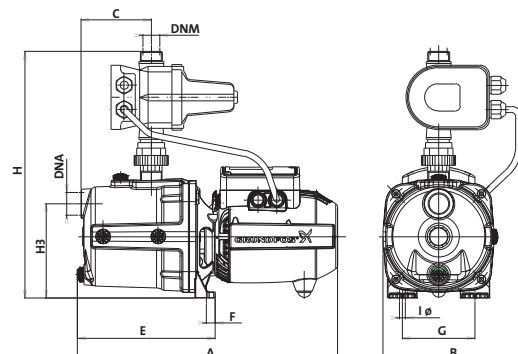
Pumps	Discharge Pressure (kPa/psi) - based on zero suction lift						
	150	200	250	300	350	400	500
	22	29	36	44	51	58	72
	Output (l/min)						
JPRain 2 PT08	46	39	30	-	-	-	-
JPRain 3 PT18	-	58	40	29	-	-	-
JPRain 4 PT18	-	-	58	44	29	-	-
JPRain 2 MP	40	34	26	-	-	-	-
JPRain 3 MP	-	51	35	26	-	-	-
JPRain 4 MP	-	-	51	39	26	-	-

As a guide 1 tap  = 10 litres per minute • 1 sprinkler  = 15 litres per minute

DIMENSIONS



Bare pumps only - there is a pressure drop when using the MP versions.



TECHNICAL FEATURES

JPRain The JPRain without any automatic controllers will operate manually by switching the pump on and off at the power point.

Pump type	Dimensions (mm)											
	A	A1	B	C	E	F	G	H	H3	l _ø	DNA	DNM
JPRain 2	410	390	178	122	192	14	111	200	144	9	Rp 1	Rp 1
JPRain 3	410	390	178	122	192	14	111	200	144	9	Rp 1	Rp 1
JPRain 4	429	409	178	122	197	14	111	213	144	9	Rp 1	Rp 1

JPRain MP The JPRain MP is a complete system which automatically switches on and off according to demand. The controller also has dry run protection to stop the pump if the tank runs dry. When small system leaks are present the MP will prevent cycling of the pump.

Pump type	Dimensions (mm)											
	A	B	C	E	F	G	l _ø	H	H3	DNA	DNM	
JPRain 2 MP	410	212	122	192	14	111	9	360	144	Rp 1	Rp 1	
JPRain 3 MP	410	212	122	192	14	111	9	360	144	Rp 1	Rp 1	
JPRain 4 MP	429	212	122	197	14	111	9	360	144	Rp 1	Rp 1	

JPRain PT The JPRain PT fitted with a pressure switch and tank will start and stop automatically when a tap is opened or closed. The system will draw water from the pressure tank first when only a small amount of water is needed. JPRain PT is supplied with a non-return valve which is to be fitted to the pump inlet.

Pump type	Dimensions (mm)											
	A	B	C	E	F	G	l _ø	H	H3	DNA	DNM	
JPRain 2 PT	410	212	122	192	14	111	9	570	144	Rp 1	Rp 1	
JPRain 3 PT	410	212	122	192	14	111	9	570	144	Rp 1	Rp 1	
JPRain 4 PT	429	212	122	197	14	111	9	570	144	Rp 1	Rp 1	

Pump type	Voltage (V)						
		P ₁	P ₂	P ₂	l _ø	Capacitor	
		Max [kW]	[kW]	[hp]	[A]	[μF]	Vc]
JPRain 2	1 x 240	0.72	0.44	0.6	3.12	12.5	450
JPRain 3	1 x 240	0.85	0.60	0.8	3.4	12.5	450
JPRain 4	1 x 240	1.13	0.75	1.0	4.7	16.0	450

